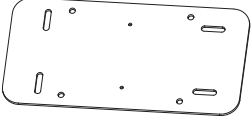



Modular Lounge Ganging Installation Instructions

Reference Number: 6AJ9011

HARDWARE LIST	
<p>(A) x2</p>  <p>P/N: 6AJ6078 GANGING PLATE</p>	<p>(B) x16</p>  <p>P/N: 6AJ6113 SCREW - SM PAN HD #12 X 1" LG. BLACK CHROMATE</p>

Tools Needed

Power driver with Phillips bit

1. Configure the pieces as desired, right-side up. Align center holes of plates to adjoining edges of modular lounge pieces. (Fig. 1)
2. Install screws in slots with power driver from underside of configuration. (Fig. 2)
3. Position pieces to desired alignment.
4. Install screws in holes with power driver to secure plates. (Fig. 3)

Fig. 1

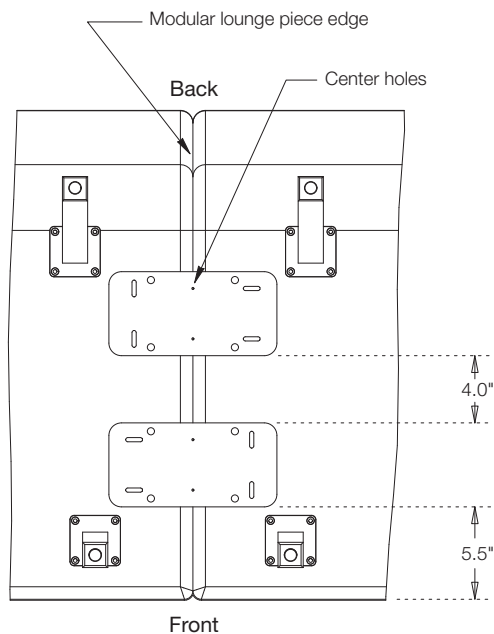


Fig. 2

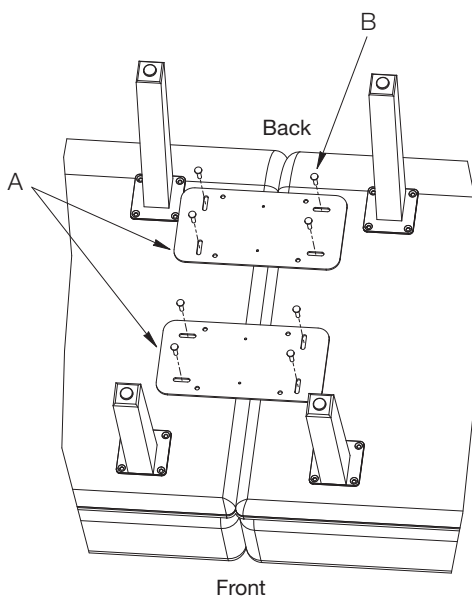


Fig. 3

